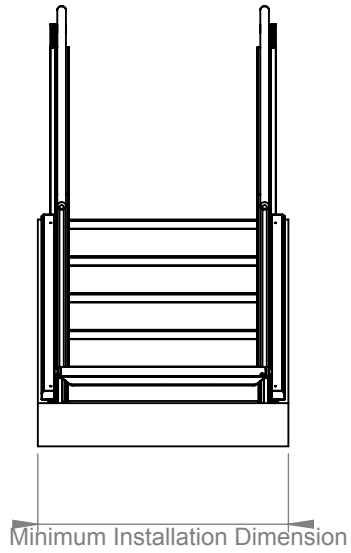
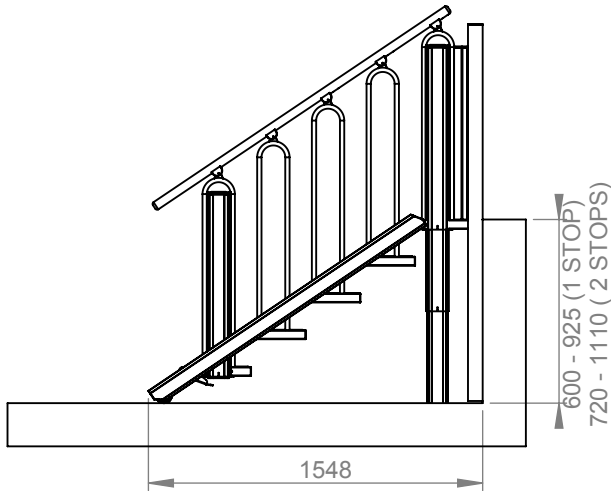
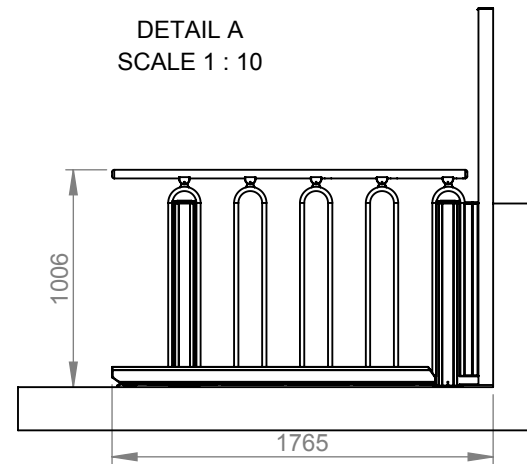

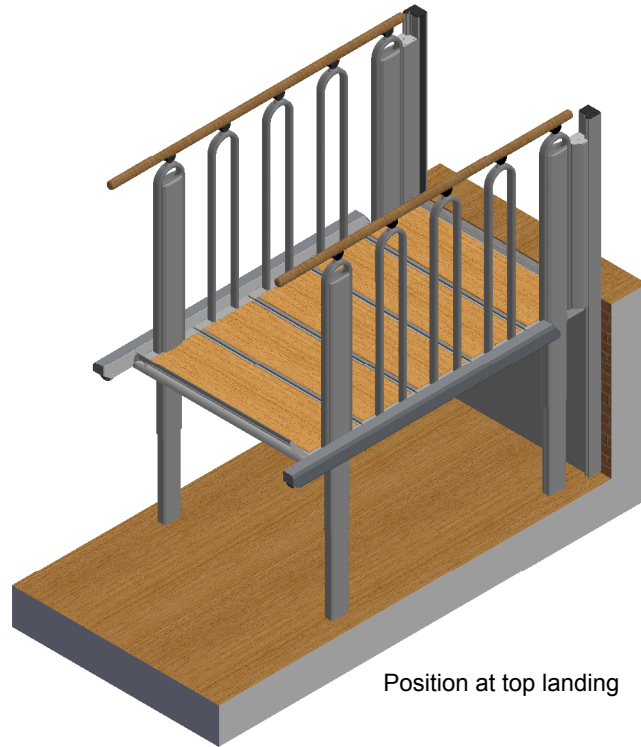


DETAIL A  
SCALE 1 : 10

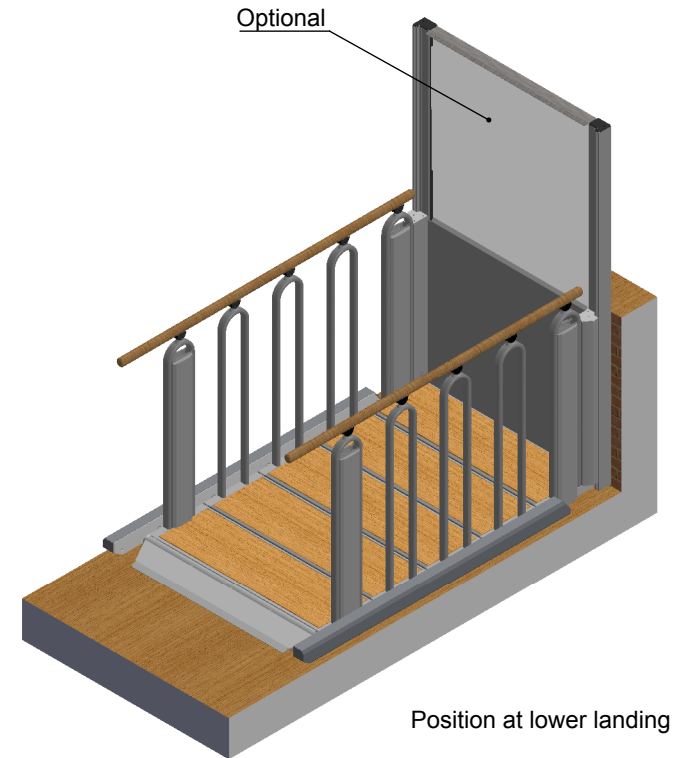


Minimum Installation Dimension  
 960 mm (model 700 mm)  
 1060 mm (model 800 mm)  
 1160 mm (model 900 mm)  
 1260 mm (model 1000 mm)

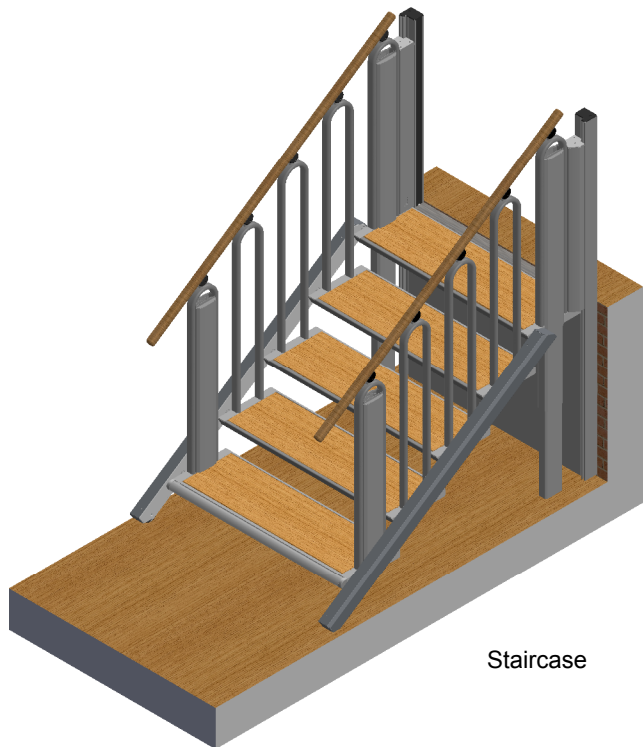
Specs.	Choice	Model:	5 STEPS		 Product Name <b>FLEXSTEP V2</b>
Installation	Indoor	Balustrade:	Round	Last change date: 28-10-2015	
Handrails	Oak	Lifting Capacity:	400 kg	Customer :	Scale: 1:35
Step Inserts	Oak	Drawn by:	MP		A4
Colour	Akzo Nobel 900				
Packing	Carton or Wood Pallet Box				
Op. Panel					




Position at top landing



Position at lower landing



Staircase

Specs.	Choice	Model:	5 STEPS		 Product Name <b>FLEXSTEP V2</b>
Installation	Indoor	Balustrade:	Round	Last change date: 28-10-2015	
Handrails	Oak	Lifting Capacity:	400 kg	Customer :	Scale: 1:30
Step Inserts	Oak	Drawn by:	MP		A4
Colour	Akzo Nobel 900				
Packing	Carton or Wood Pallet Box				
Op. Panel					